



1'
7'
3'
APEX
TEXTILES INDIA

6'
3'
APEX
TEXTILES INDIA

6'
3'
UV Treated
Non Woven
Fabric
Geogrid & Cover
Treated in Chlorine
Composite wall, Reinforcement,
Spatuloid, Laminar, Marble, Shingles,
Reinforcement fabric of engineering and
architectural use.

PP Spun
Bonded
Non Woven
Fabric
Health & Hygiene
Apex Textiles India offers a wide range
of products for all types of applications
including: hospital, sanitary napkins,
garments, hygiene care products, etc.

PP Spun
Bonded
Non Woven
Fabric
Health & Hygiene
Apex Textiles India offers a wide range
of products for all types of applications
including: hospital, sanitary napkins,
garments, hygiene care products, etc.

PP Spun
Bonded
Non Woven
Fabric
Health & Hygiene
Apex Textiles India offers a wide range
of products for all types of applications
including: hospital, sanitary napkins,
garments, hygiene care products, etc.

PP Spun
Bonded
Non Woven
Fabric
Health & Hygiene
Apex Textiles India offers a wide range
of products for all types of applications
including: hospital, sanitary napkins,
garments, hygiene care products, etc.

APEX
TEXTILES INDIA

8'

**APEX
TEXTILES INDIA**

6'
**APEX
TEXTILES INDIA**
3'

12'9"

**UV Treated
Non Woven
Fabric**
Cropp Cover



Tomato, Cucumber, Lettuce, Broccoli, Cauliflower, Potatoes, Spinach, Lemon, Beans, Brinjal, Peas, any kind of vegetation and small fruit plant.

www.apextextilesindia.com

**PP Spun
Bonded
Non Woven
Fabric**

**PP Spun
Bonded
Non Woven
Fabric**

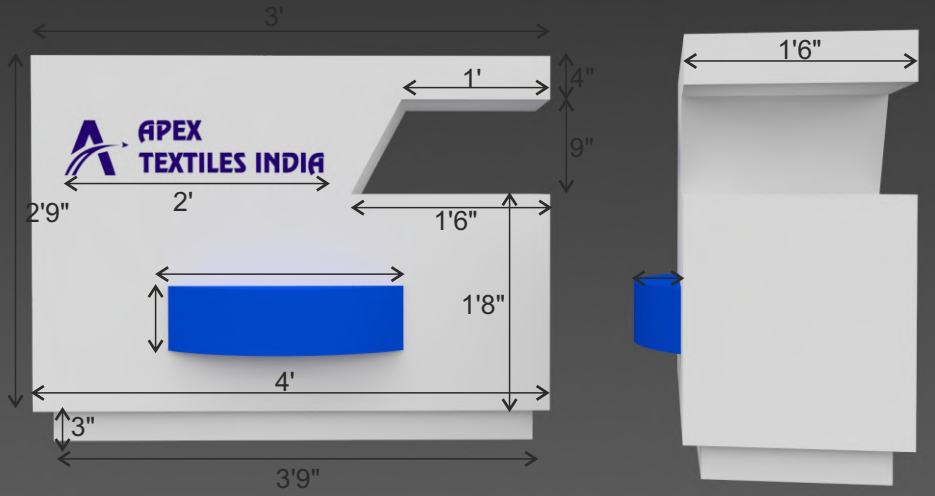
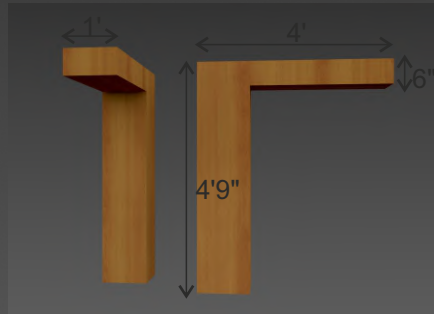
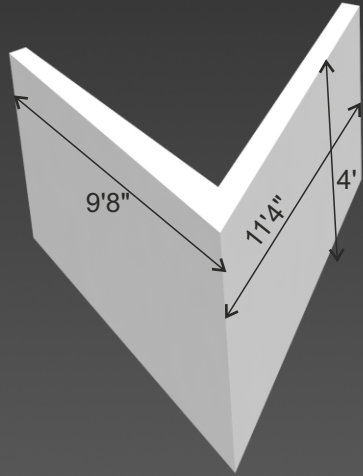
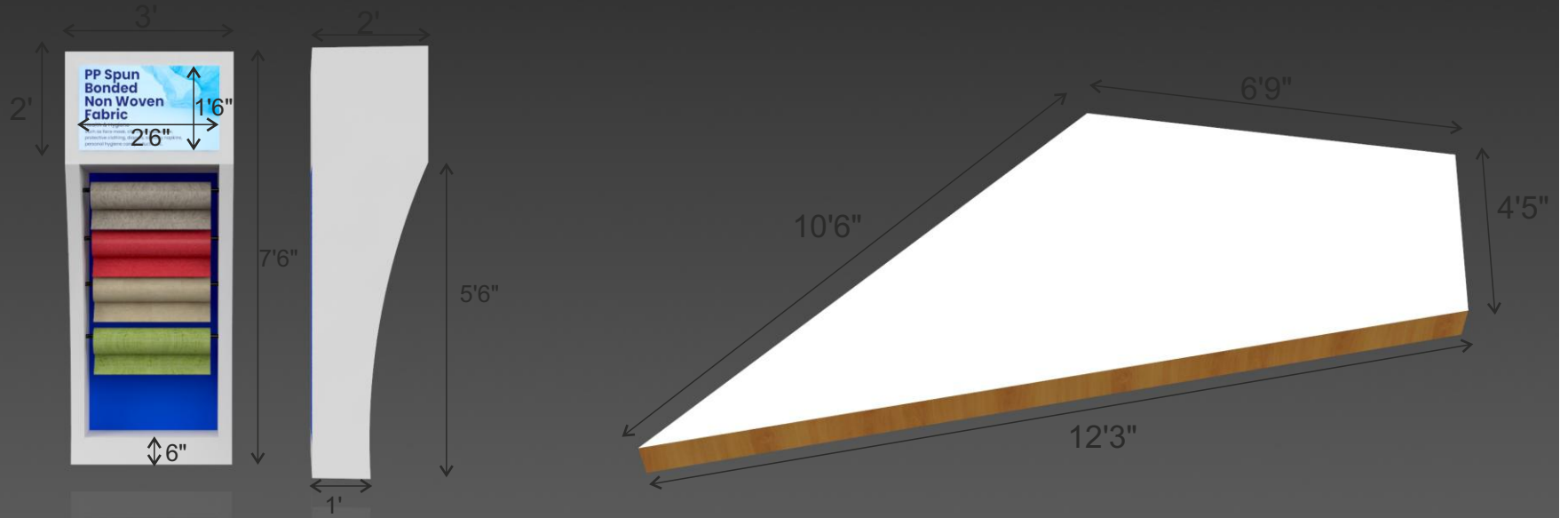
**PP Spun
Bonded
Non Woven
Fabric**

**PP Spun
Bonded
Non Woven
Fabric**

**PP Spun
Bonded
Non Woven
Fabric**

**PP Spun
Bonded
Non Woven
Fabric**







PP Spun Bonded Non Woven Fabric

PP Spun Bonded Non Woven Fabric

PP Spun Bonded Non Woven Fabric

PP Spun Bonded Non Woven Fabric



**APEX
TEXTILES INDIA**

**APEX
TEXTILES INDIA**

**UV Treated
Non Woven
Fabric**



Technicals: Grammage, Tensile, Breakdown, Causticness, Puncture, Density, Water Absorb, Shrinkage, Flammability, any kind of vegetation and animal proof fabric.

**PP Spun
Bonded
Non Woven
Fabric**

Health & Hygiene
Suit for face mask, 3-ply, shoe cover, protective clothing, gowns, sanitary napkins, personal hygiene care products etc.



**PP Spun
Bonded
Non Woven
Fabric**

Health & Hygiene
Suit for face mask, 3-ply, shoe cover, protective clothing, gowns, sanitary napkins, personal hygiene care products etc.



**PP Spun
Bonded
Non Woven
Fabric**

Health & Hygiene
Suit for face mask, 3-ply, shoe cover, protective clothing, gowns, sanitary napkins, personal hygiene care products etc.



**APEX
TEXTILES INDIA**



**APEX
TEXTILES INDIA**

**APEX
TEXTILES INDIA**

**APEX
TEXTILES INDIA**

UV Treated Non Woven Fabric
Crop Cover



UV Treated Non Woven Fabric
Crop Cover

Tomato, Cabbage, Lettuce, Radish, Cauliflower, Potatoes, Spinach, Leek, Garlic, Brinjal, Flowers, any kind of vegetation and school fruit plants.

PP Spun Bonded Non Woven Fabric
Health & Hygiene

PP Spun Bonded Non Woven Fabric
Health & Hygiene

PP Spun Bonded Non Woven Fabric
Health & Hygiene

PP Spun Bonded Non Woven Fabric
Health & Hygiene

PP Spun Bonded Non Woven Fabric
Health & Hygiene

PP Spun Bonded Non Woven Fabric
Health & Hygiene

**APEX
TEXTILES INDIA**



UV Treated Non Woven Fabric
Cropp Cover

Tomato, Cucumber, Lettuce, Broccoli, Cauliflower, Potatoes, Spinach, Leek, Beans, Brinjal, Peas, any kind of vegetation and small fruit plant.

www.apextextilesindia.com

PP Spun Bonded Non Woven Fabric

PP Spun Bonded Non Woven Fabric

PP Spun Bonded Non Woven Fabric

PP Spun Bonded Non Woven Fabric

PP Spun Bonded Non Woven Fabric

PP Spun Bonded Non Woven Fabric



