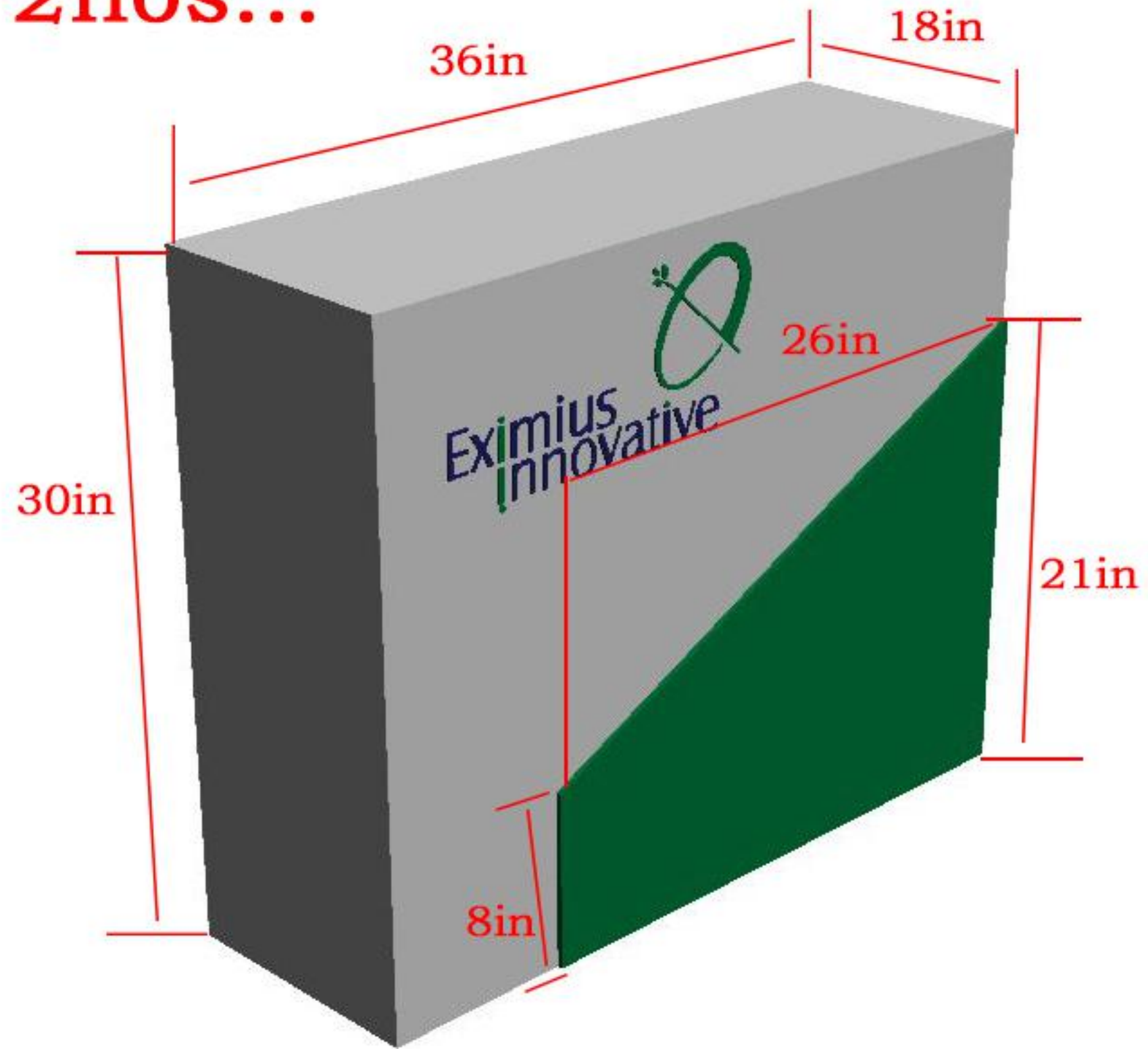
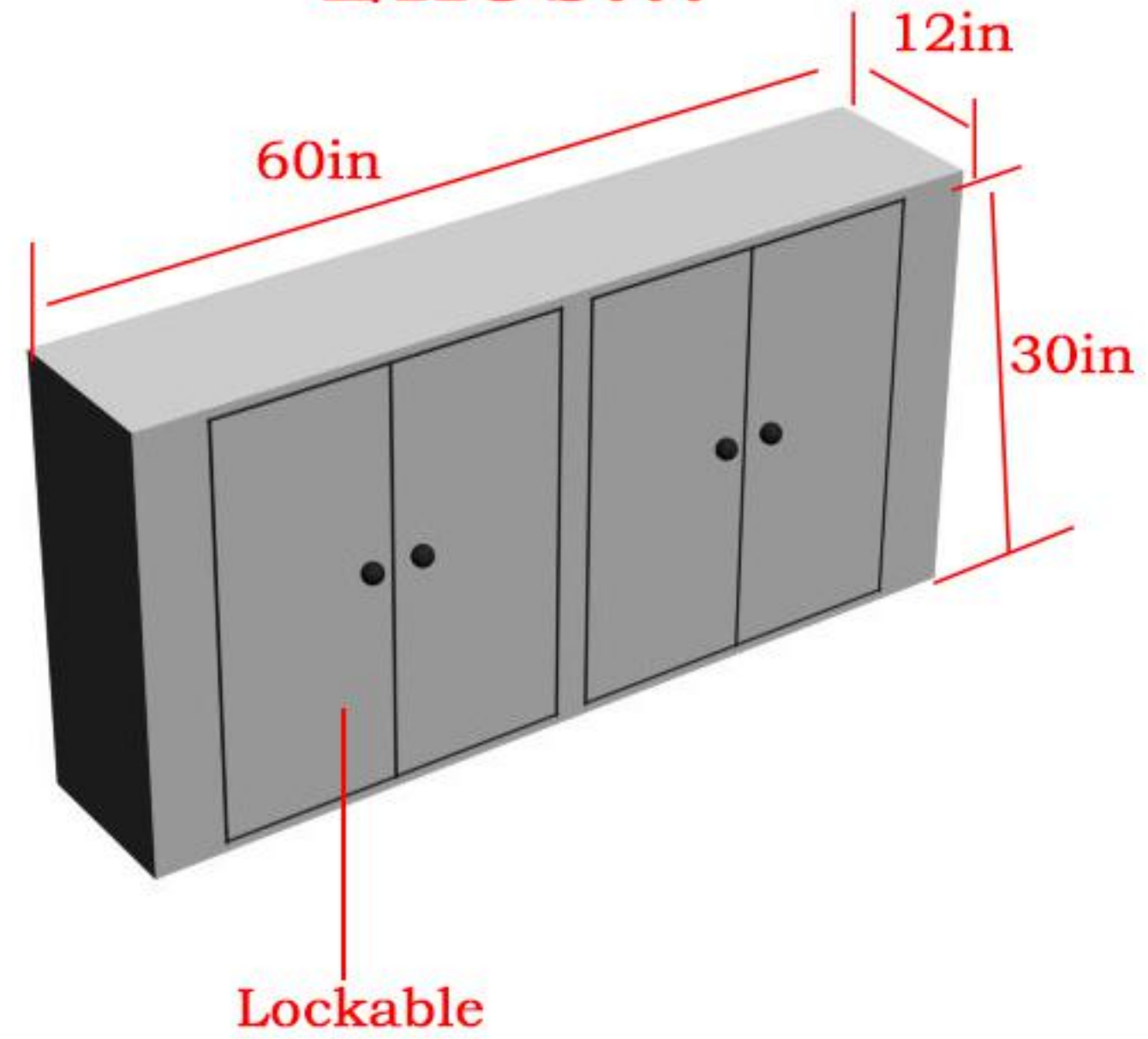


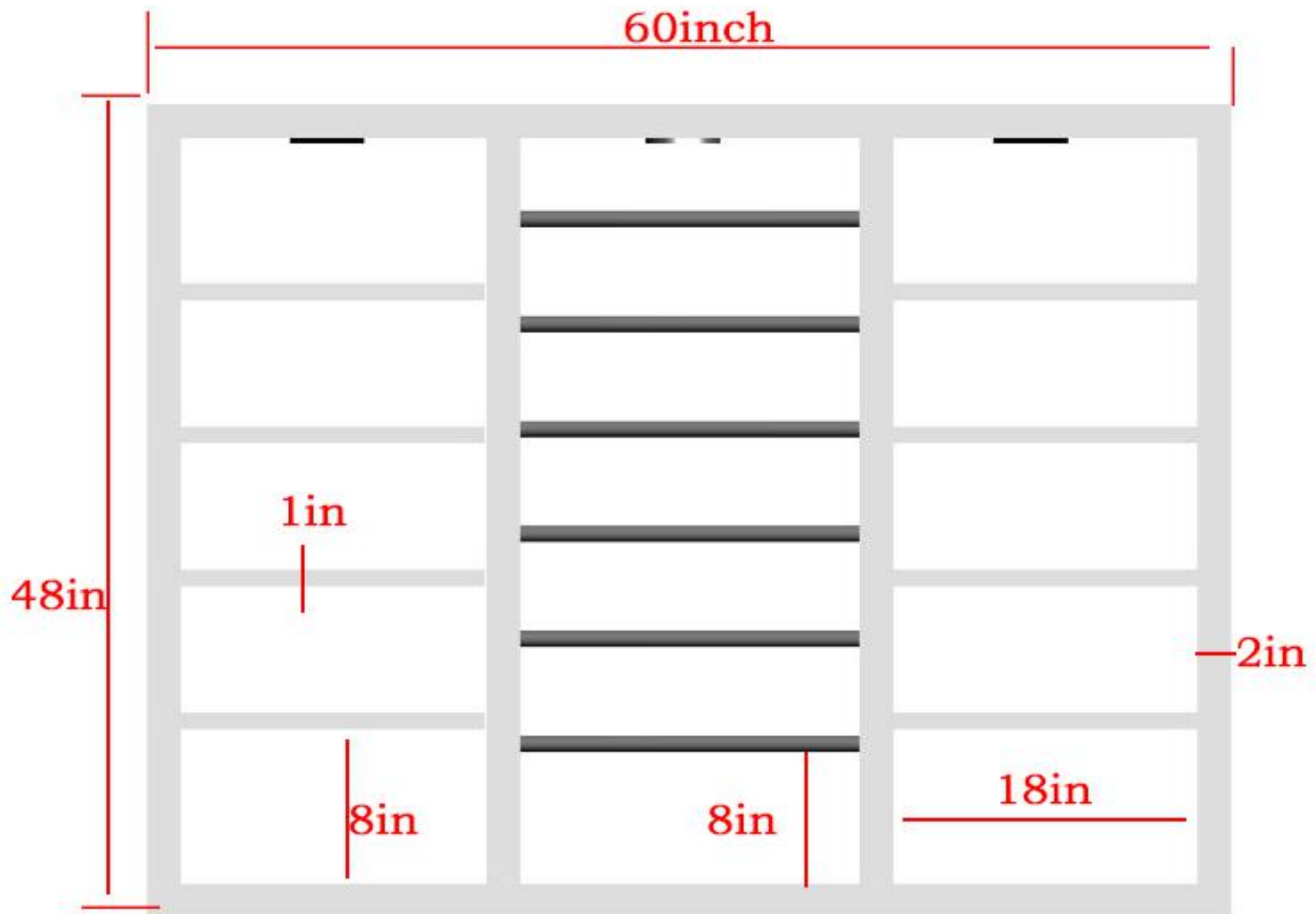
2nos...



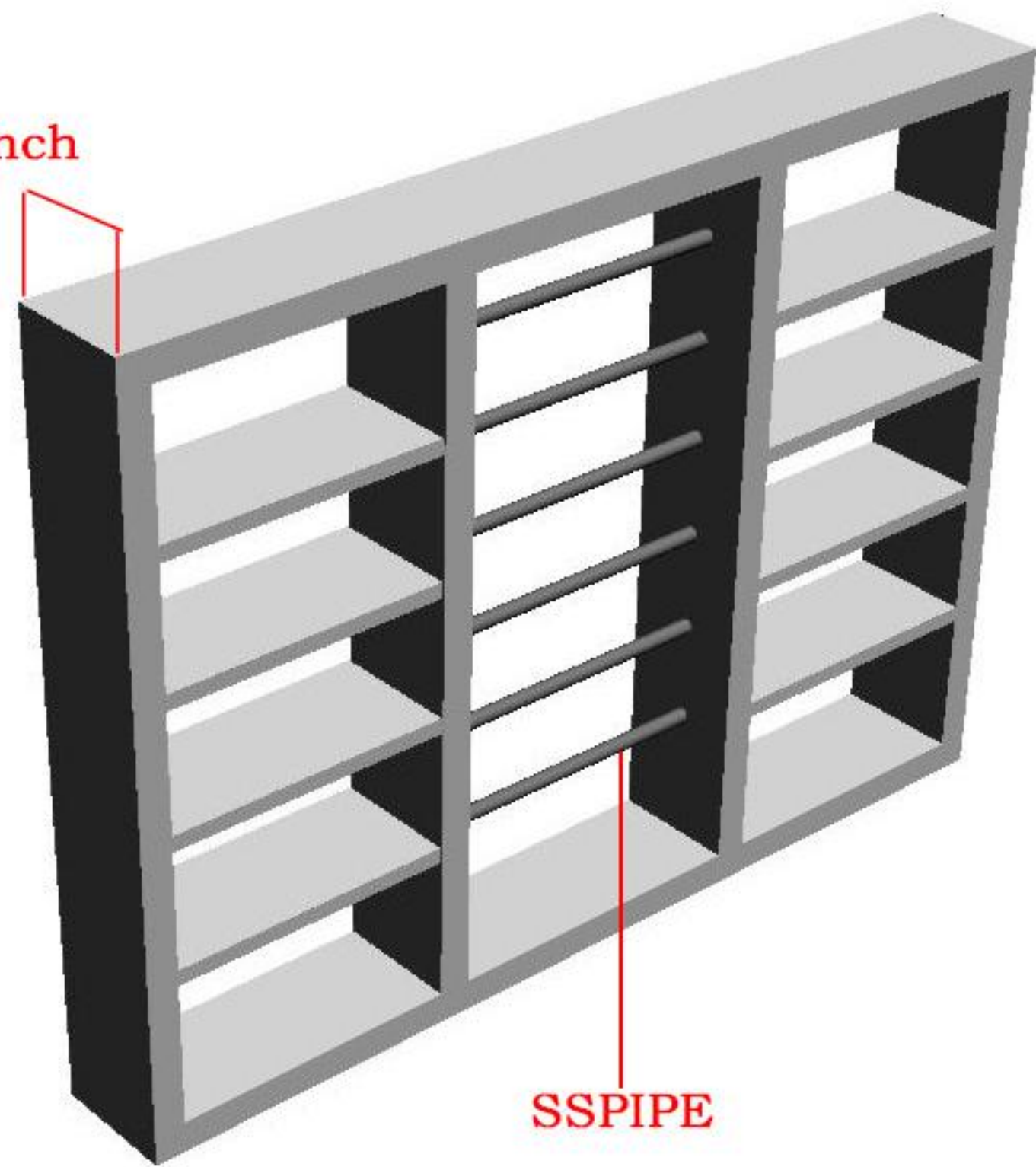
2nos...



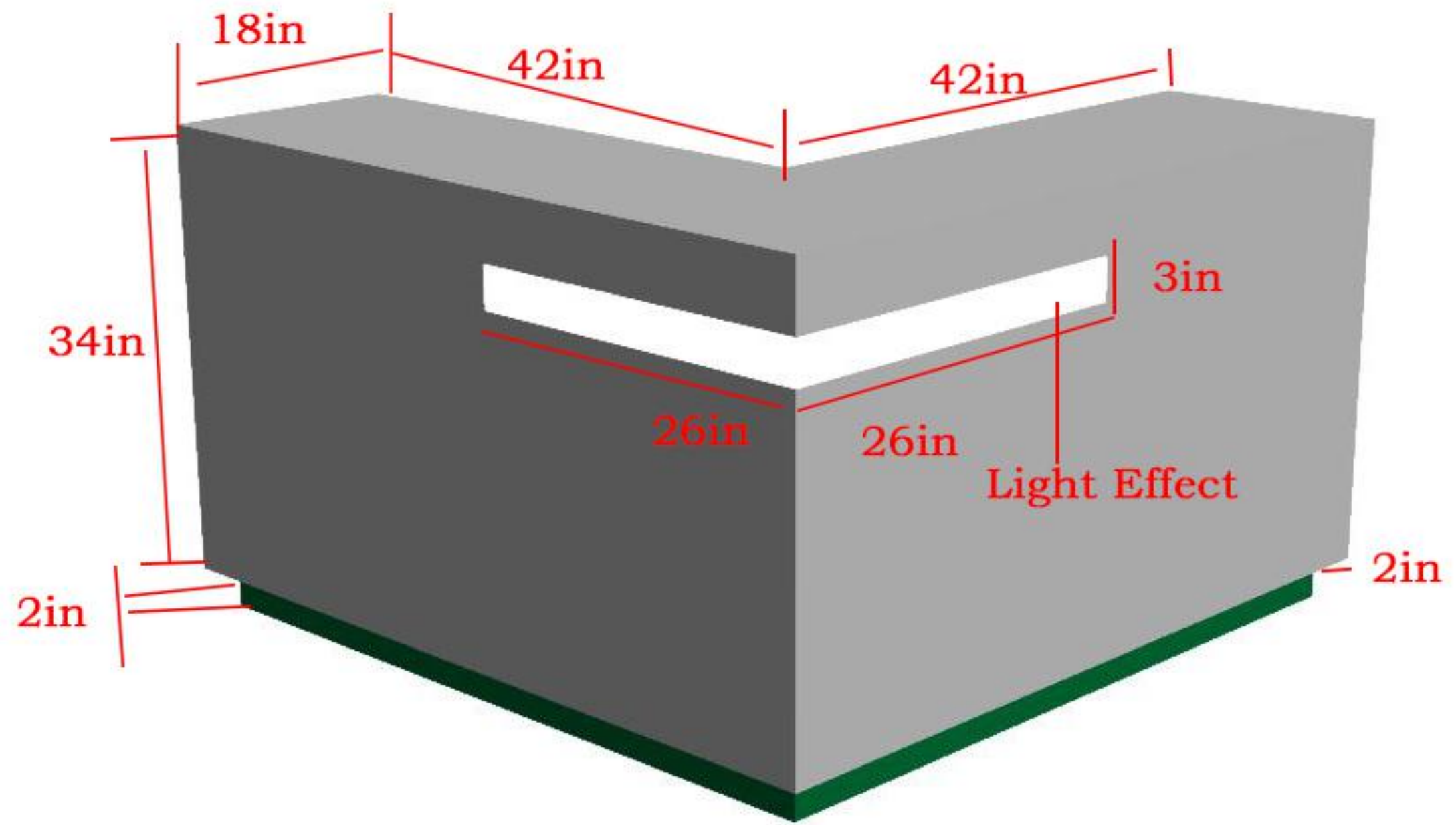
2nos....



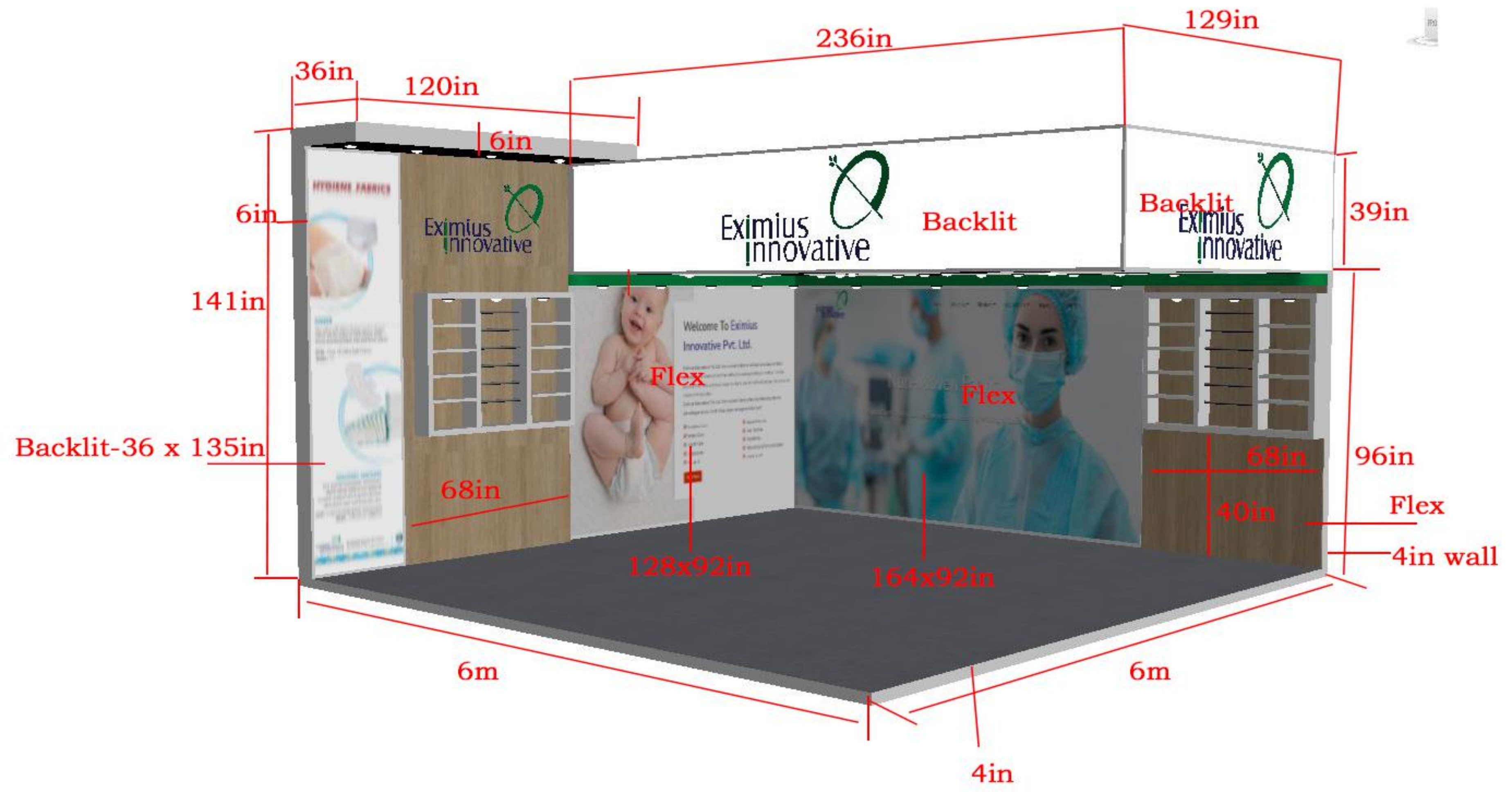
8inch

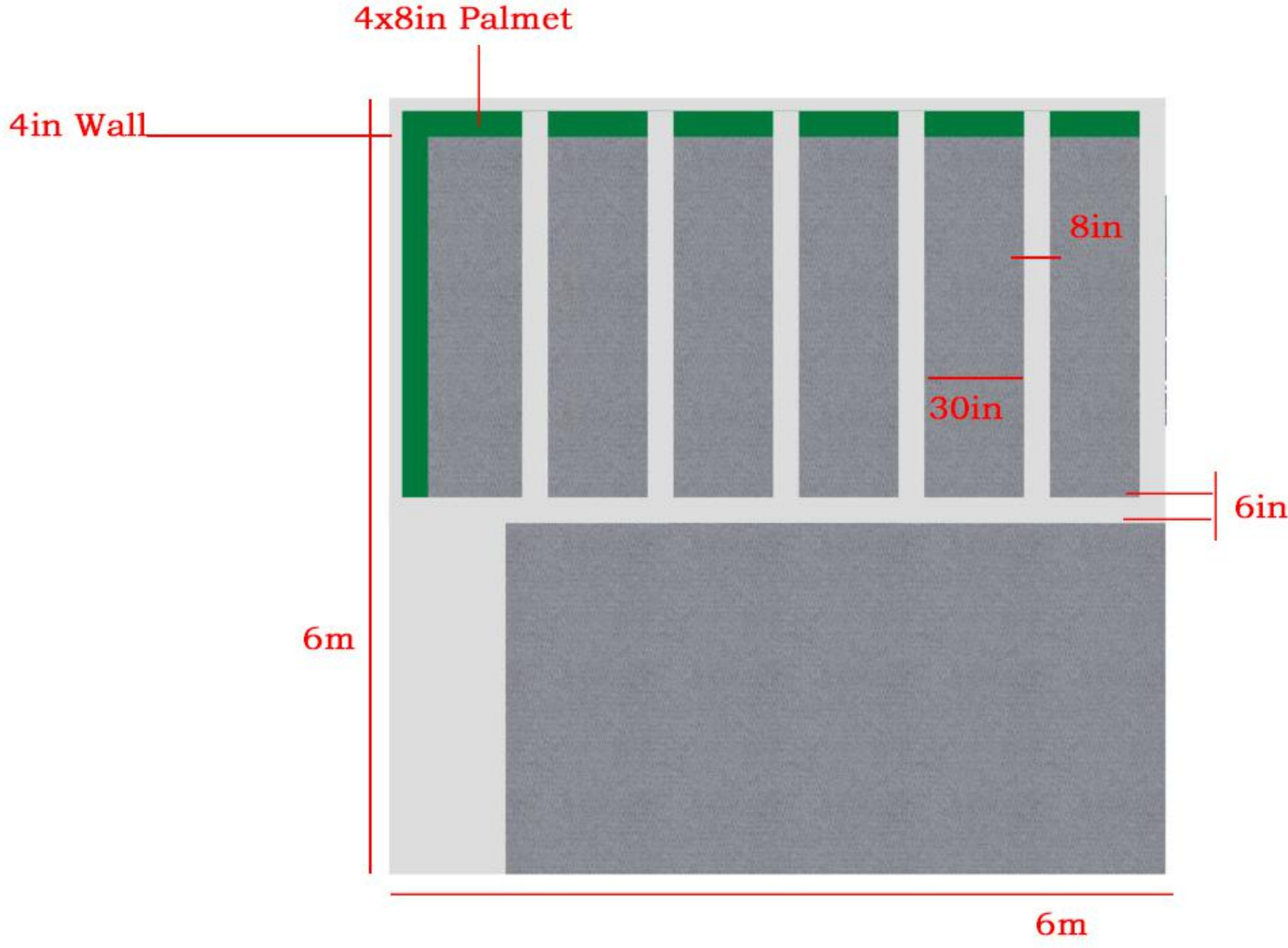


SSPIPE









HYGIENE FABRICS



Eximius Innovative

Eximius Innovative

Eximius Innovative



Eximius Innovative

Eximius Innovative

Home About Us Products Applications Inquiry Contact Us

Non-Woven Fabric

Manufactured from... without washing, rinsing or drying.



Eximius Innovative

Eximius Innovative



HYGIENE FABRICS



DIAPER

Our ultra-soft fabric being used in diaper which allows baby to wear diaper long hours and keep baby skin free from rashes.

GSM : 13 to 18 (Ultra Soft Fabric)
Width : 12"



NON-WOVEN FABRICS

Hydrophilic nonwoven used as top sheet of which passes fluid to wick and keep skin dry.

(Hydrophilic Nonwoven)
Size : 120mm to 1600mm

Eximius
Innovative

Eximius
Innovative

Eximius
Innovative

Welcome To Eximius
Innovative Pvt. Ltd.

Eximius Innovative Pvt. Ltd. Non-woven Fabrics is defined as
manufactured directly from fiber without weaving, knitting
product that finds extensive usage in day to day life.
Common knowledge:

- Eximius Innovative Pvt. Ltd. Non-woven Fabrics offers
advantages but to list them all is beyond the scope of this
document.
- Personal Care
- Apparel
- Infant Care
- Sanitation
- Adult Care
- Industrial

Non-Woven Fabrics



Windows 7

Eximius
Innovative

Eximius
Innovative

Eximius
Innovative

Eximius
Innovative

Eximius Innovative



HYGIENE FABRICS



DIAPER

Our ultra-soft fabric being used in diaper which allows baby to wear diaper long hours and keep baby skin free from rashes.
GSM : 15 to 18 (Ultra Soft Fabric)
Wash : 12



SANITARY NAPKINS

Our special hydrophilic nonwoven fabric being used as top sheet of sanitary napkins which passes fluid to absorbent layer and keep skin dry.

Eximius
Innovative



Welcome To Eximius Innovative Pvt. Ltd.

Eximius Innovative Pvt. Ltd. Non-woven Fabric is defined as a class of fabric manufactured directly from fiber without weaving, knitting or tufting. It is the product that finds extensive usage in day to day life without getting noticed to our common knowledge.

Eximius Innovative Pvt. Ltd. Non-woven Fabric offers the following distinct advantages due to which it has clear cut segment for itself:

- Apparel linings
- Geo Textiles
- Insulations
- Household & Personal Care

Eximius
Innovative



Eximius
Innovative





HYGIENE

Eximius Innovative

Eximius Innovative

Eximius Innovative



DIAPER

Our ultra-soft fabric lining used in diaper which allows baby to sleep longer hours and keep baby skin free from rashes.

GSM: 13 for 18 Extra Soft (4-ply)

Width: 17"



SANITARY NAPKINS

Our natural & eco-friendly, super absorbent fabric, which is soft and gentle on skin. It is designed to keep you dry all day long.

GSM: 15



Eximius Innovative

Eximius Innovative

Eximius
Innovative

Eximius
Innovative

Soft fabric being used in diaper
allows baby to wear diaper long
and keep baby skin free from rashes.

to 18 (Ultra Soft Fabric)
2"



WASHABLE NAPKINS

Hydrophilic nonwoven
used as top sheet of
which passes fluid to
and keep skin dry.
(Hydrophilic Nonwoven)
100mm to 1600mm



Welcome To Eximius
Innovative Pvt. Ltd.

Eximius Innovative Pvt. Ltd. Non-woven Fabric is defined as a class of fabric
manufactured directly from fiber without weaving, knitting or tufting. It is the
product that finds extensive usage in day to day life without getting noticed to our
common knowledge.

Eximius Innovative Pvt. Ltd. Non-woven Fabric offers the following distinct
advantages due to which it has clear cut segment for itself:

- ☑ Feminine Care
- ☑ Infant-Care
- ☑ Adult-Care



Home

About Us

Products

Non-Woven Fabric

Manufactured from Polypropylene without weaving, knitting or tufting.



Home About Us Products Applications Inquiry Contact Us

Non-Woven Fabric

red from pro... without weaving, knitting or tufting.



