

8x4in

48x94in

Non woven

Flex

68in

92in

2in

2in

12in

14in

26in

14in

14in

TEXBOND TEXBOND NONWOVENS
Specialty Laminates | Laminates | Graphics | Laminates | Dr. Soft
Coatings | Rubber | Tapes | Labels | Medical | Displays

Phone: 1-800-857-7676 | Fax: 414-228-2123
Email: info@texbond.com | www.texbond.com

MED & SAFE - TECH

 STERILE GLOVES	 GLOVES
 SURGICAL CAP	 FACE MASK
 GLOVES & GOWN	 SURGICAL GOWN
 BED SHEET	 BATHING GOWN
 GLOVES & GOWN	 GOWN GIG

TEXBOND TEXBOND NONWOVENS
Specialty Laminates | Laminates | Graphics | Laminates | Dr. Soft
Coatings | Rubber | Tapes | Labels | Medical | Displays

Phone: 1-800-857-7676 | Fax: 414-228-2123
Email: info@texbond.com | www.texbond.com

Hygiene

30in

18in

60in

fame 12x18in

48x92in



60in



30in

18in

AGRI- TECH

106in

Flex


TEXBOND TEXBOND NONWOVENS
 Manufacturer of PP Geotextile, Geotextile Fabric & Products

Packaging: 100kg/roll & 500kg/roll (Agri-tech & Geotextile) / 50kg / 200kg (Nonwovens) / 20kg / 40kg (Safety & Hygiene) / Roll & Sheet

Phone: 91009 80708, +91 44 2840 3025
 Email: sales@texbond.in / Web: www.texbond.in

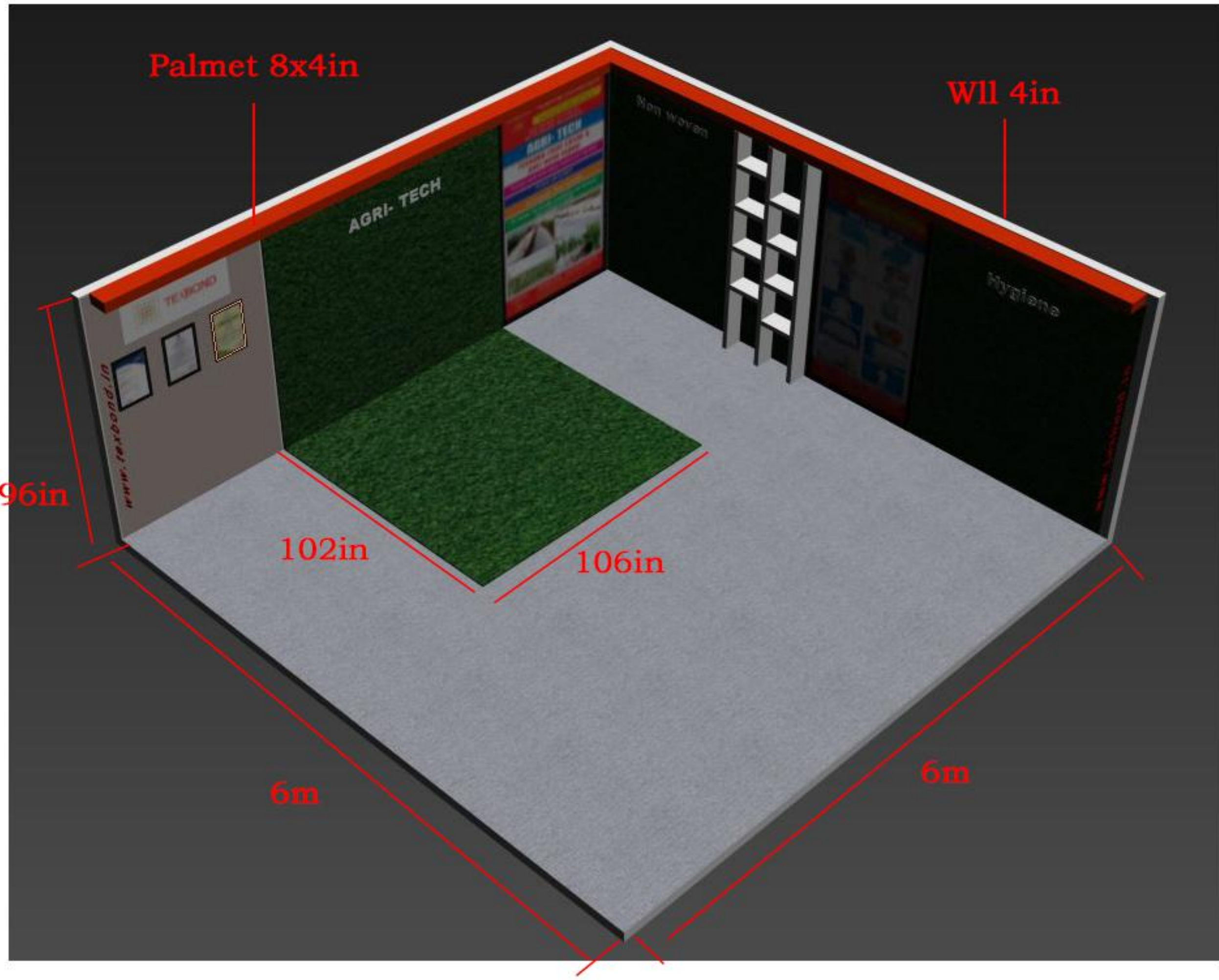
AGRI- TECH
TEXBOND CROP COVER & ANTI WEED FABRIC

- Prevents weeds and retains moisture in Crop beds
- Protects soil nutrients
- Air Permeable, Water Permeable
- UV treated, Eco friendly, breathable, anti bacterial, Tear resistant & fusible



TEXBOND TEXBOND NONWOVENS
 Manufacturer of PP Geotextile, Geotextile Fabric & Products

Phone: 91009 80708, +91 44 2840 3025
 Email: sales@texbond.in / Web: www.texbond.in



Palmet 8x4in

W11 4in

96in

102in

106in

6m

6m

AGRI-TECH

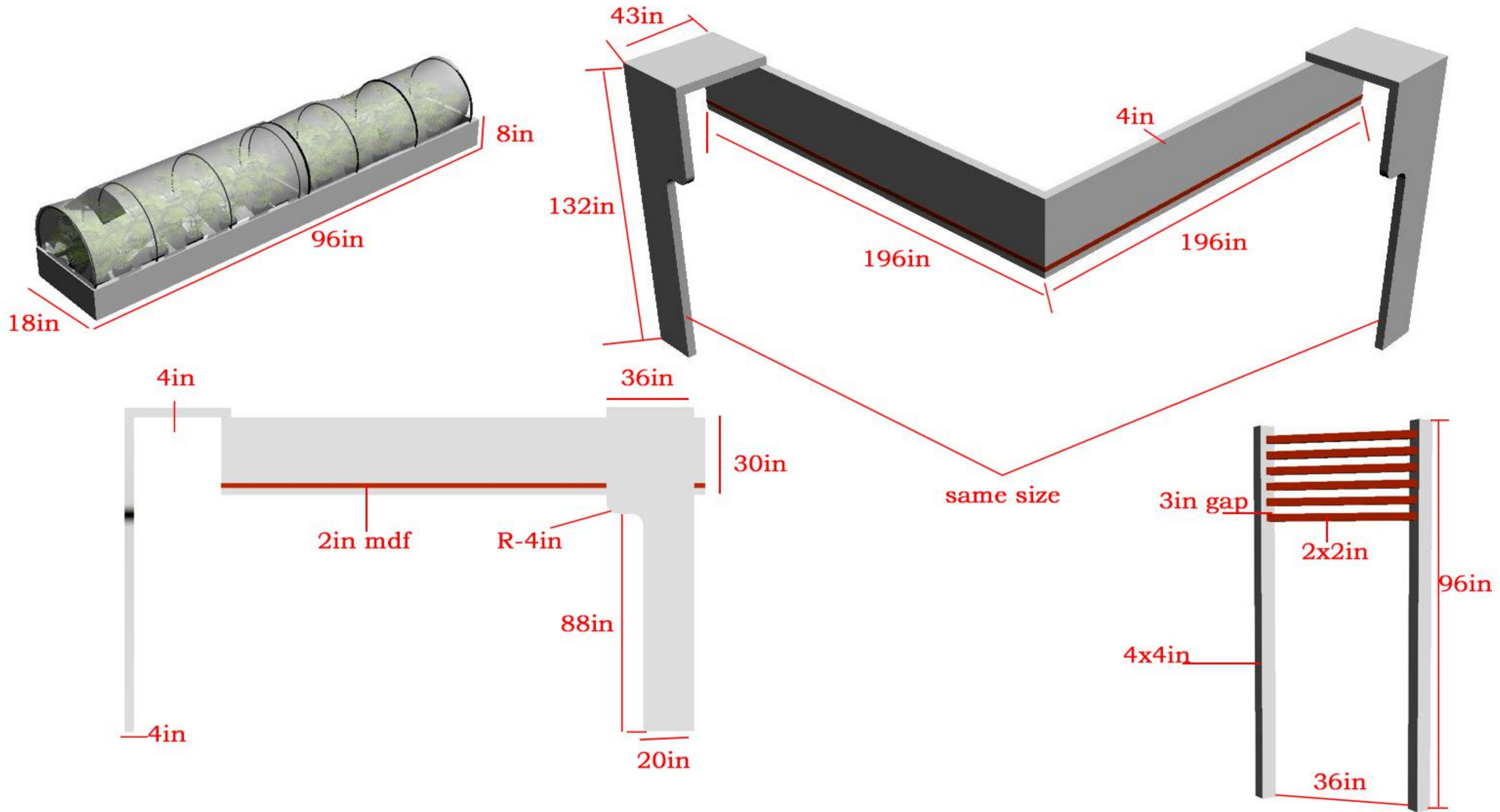
Non woven

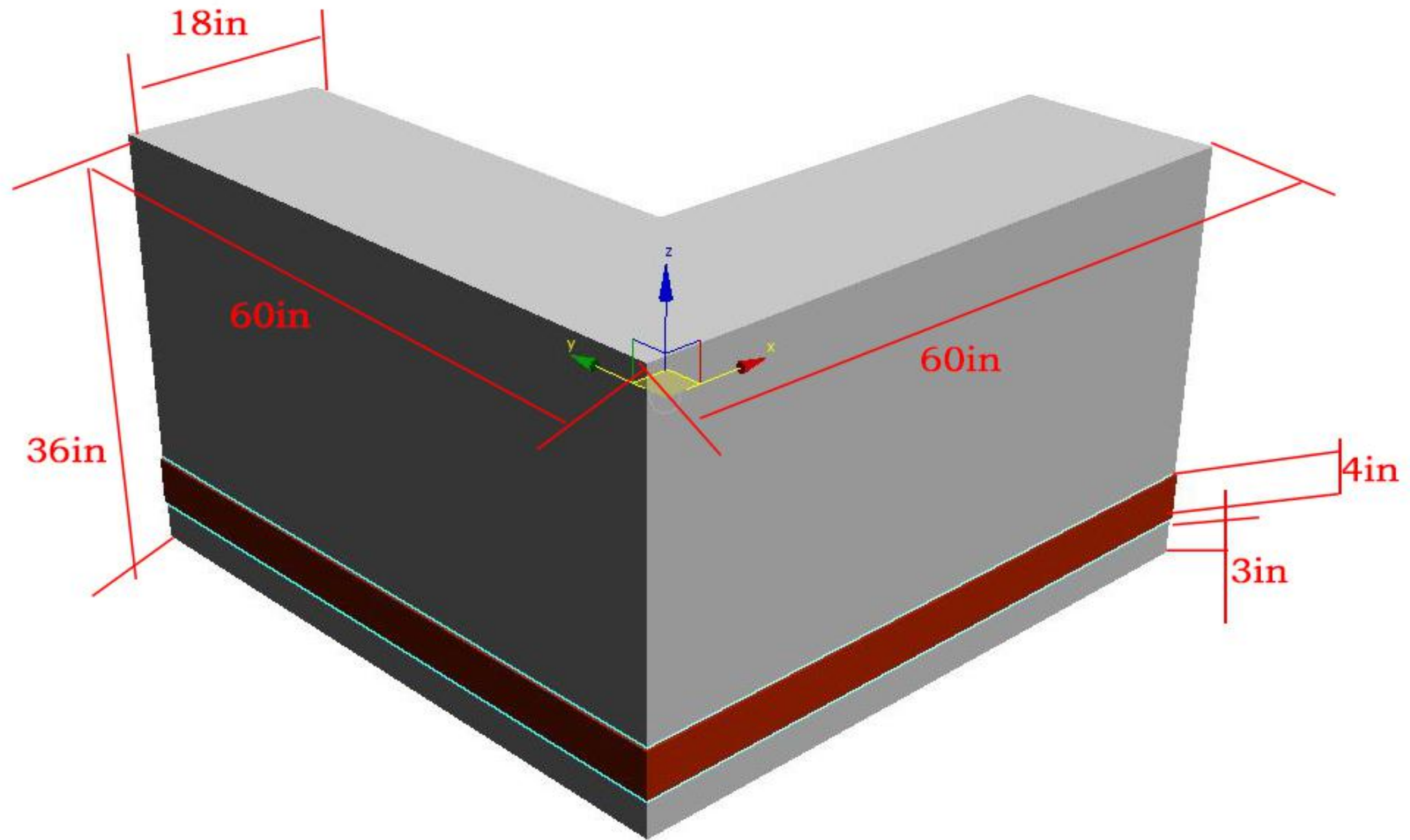
Hygiene

www.texbond.in

TEXBOND

AGRI-TECH
AGRI-TECH
AGRI-TECH







TEXBOND



TEXBOND



TEXBOND

AGRI- TECH

TEXBOND TEXBOND NONWOVENS
 From 1999 2006, till 14 2012 2013
 Text. www.texbond.in / Web www.texbond.in

AGRI- TECH
TEXBOND CROP COVER & ANTI WEED FABRIC
 Prevents weeds and retains moisture in soil
 Protects soil nutrients
 Air Permeable, Water Repellent
 UV treated, Eco friendly, Breathable, and Tear resistant & flexible



www.texbond.in



TEXBOND

TEXBOND

TEXBOND

TEXBOND

TEXBOND

AGRI- TECH

Non wover

Hygiene

TEXBOND

TEXBOND

www.texbond.in

www.texbond.in

TEXBOND NONWOVENS

AGRI- TECH

CROP COVER

NEED FABRIC

Non wover

TEXBOND NONWOVENS

MED & SAFE - TECH

Hygiene

TEXBOND

TEXBOND

www.texbond.in

AGRI-TECH

Non woven

Hygiene

TEXBOND TEXBOND NONWOVENS

MED & SAFE - TECH

TEXBOND TEXBOND

TEXBOND

TEXBOND

AGRI-TECH

TEXBOND **TEXBOND NONWOVENS**
Specialized in PP Spunbond, Nonwoven, Laminated & Recycled
Packaging | Garments & Lingerie | Agriculture & Landscaping | Car-
Automotive | Medical | Safety & Hygiene | Building & Con-
Phone: 91209 80706 / +91 94 2000 3029
Email: info@tecbond.in / Web: www.tecbond.in

AGRI-TECH
TEXBOND CROP COVER & ANTI WEED FABRIC
Prevent weed and water evaporation & keep soil
Protect all insects
It prevents the growth
All kinds of heavy materials can be used
for mulch & beds



Non woven



TEXBOND **TEXBOND NONWOVENS**
Specialized in PP Spunbond, Nonwoven, Laminated & Recycled
Packaging | Garments & Lingerie | Agriculture & Landscaping | Car-
Automotive | Medical | Safety & Hygiene | Building & Con-
Phone: 91209 80706 / +91 94 2000 3029
Email: info@tecbond.in / Web: www.tecbond.in

MED & SAFE - TECH

 SURGICAL CAP	 SURGICAL MASK
 SURGICAL CAP	 SURGICAL MASK
 SURGICAL GOWN	 PROTECTIVE GOWN
 LAB COAT	 DISPOSABLE APRON
 BED SHEET	 PILLOW COVER
 MATTRESS PROTECTOR	 COVER ALL

TEXBOND **NONWOVENS**



Hygiene





TEXBOND

AGRI-TECH





AGRI-TECH

Non woven

AGRI-TECH
TEXBOND CROP COVER &
AGRI WIND FABRIC

AGRI-TECH
TEXBOND CROP COVER &
AGRI WIND FABRIC

TEXBOND

TEXBOND

www.texbond.in

www.texbond.in

TEXBOND

TEXBOND

